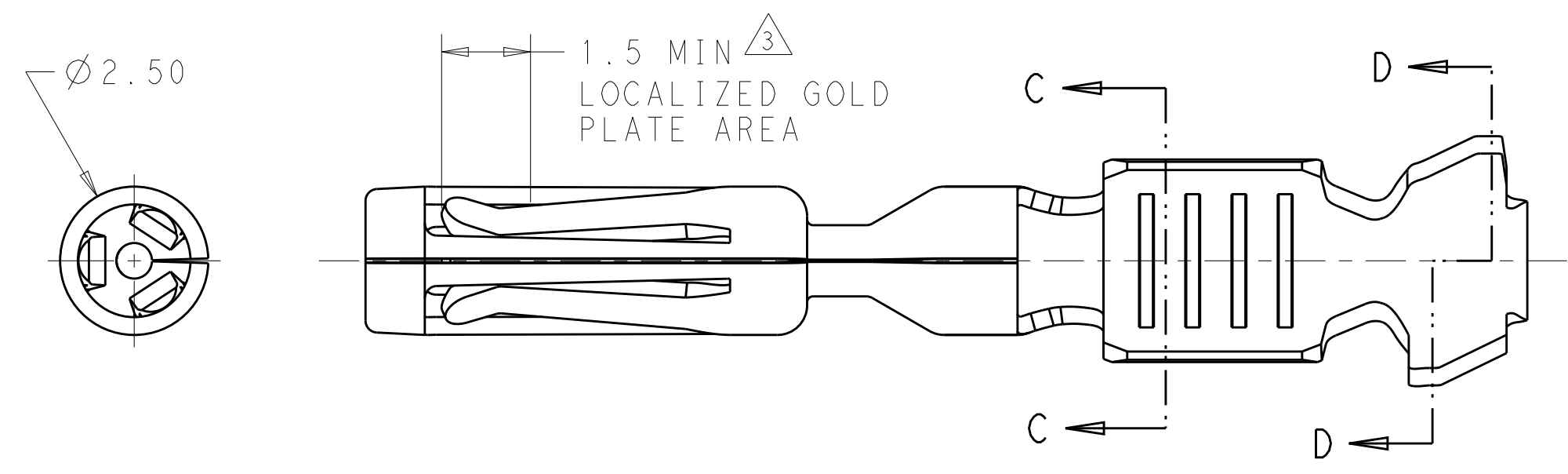
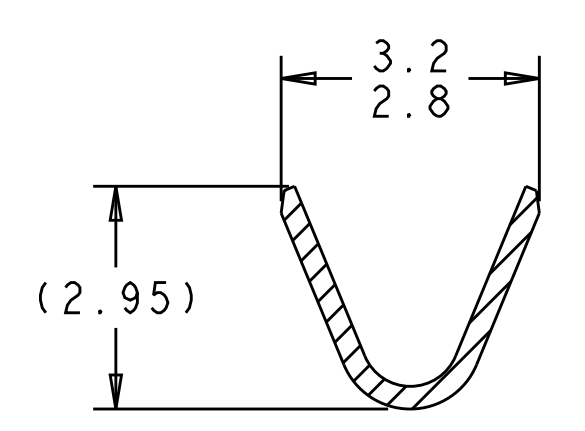
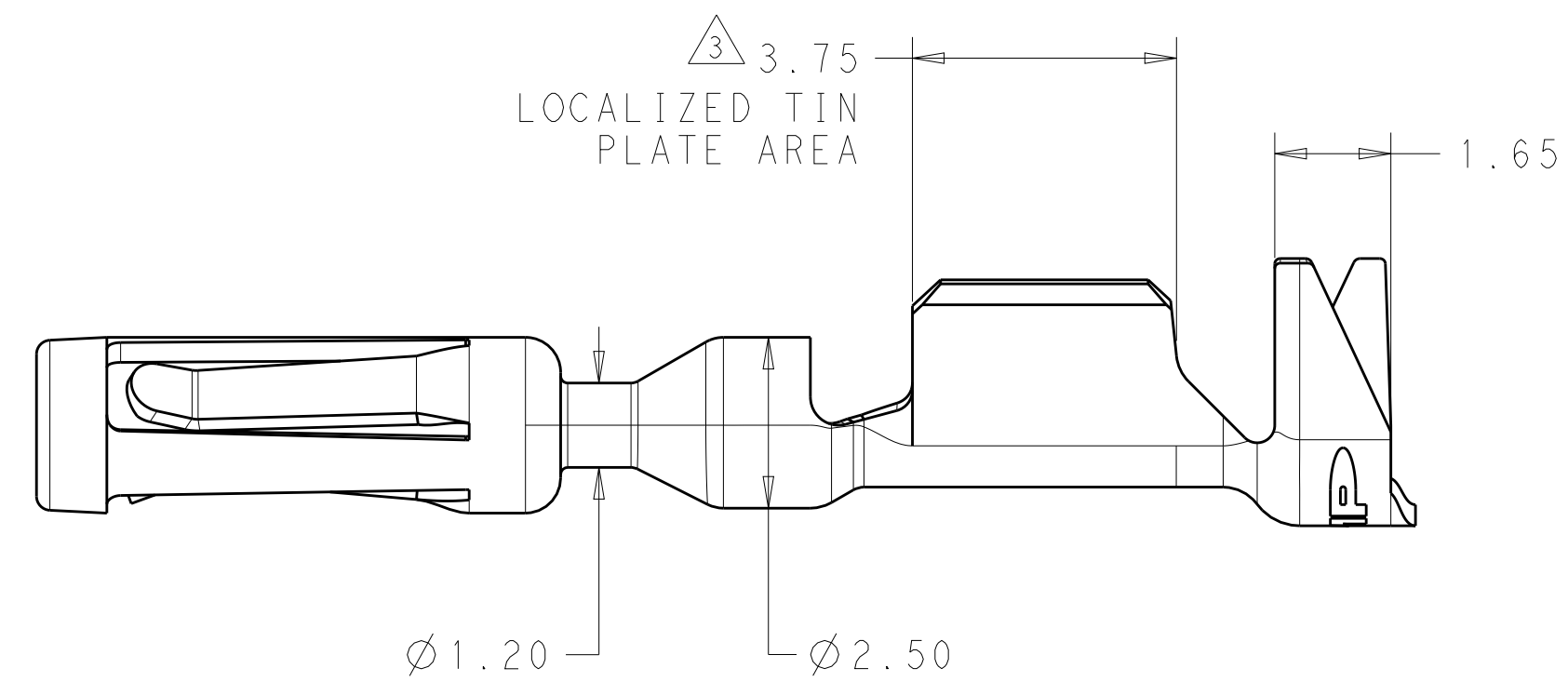


THIS DRAWING IS UNPUBLISHED. RELEASED FOR PUBLICATION 20
 © COPYRIGHT 20 BY - ALL RIGHTS RESERVED.

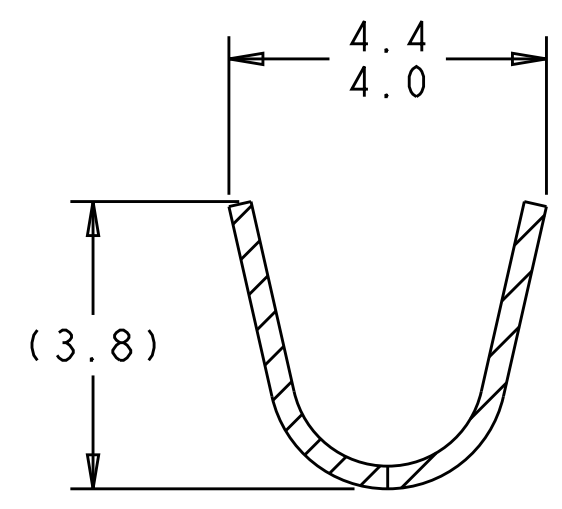
LOC	DIST	REVISIONS					
CM	57	P	LTR	DESCRIPTION	DATE	DWN	APVD
		P1		REVISED PER ECO-13-006897	22APR2013	DLD	DCS



1. WIRE RANGE: 20-16 AWG, 1.0mm², 1.5mm².
2. INSULATION RANGE: 1.70-2.70.
3. .00075 MIN GOLD IN THE LOCALIZED GOLD PLATE AREA, .0025 MIN MATTE TIN IN THE LOCALIZED TIN PLATE AREA OVER .00125 MIN NICKEL OVER ENTIRE CONTACT.
4. USED WITH AMPSEAL PLUG ASSEMBLY: 776286, 776273, 770680, 776164.



SECTION C-C



SECTION D-D

MAKE FROM 770520-3	GOLD Δ_3	0.38 COPPER ALLOY	770854-3
MAKE FROM 770520-1	PRE-TIN	0.38 COPPER ALLOY	770854-1
MADE FROM	FINISH	MATERIAL	PART NUMBER

THIS DRAWING IS A CONTROLLED DOCUMENT.		DWN D. DRUMMOND 22APR2013	TE Connectivity	
DIMENSIONS: mm		CHK D. STRAUSSER 22APR2013		
TOLERANCES UNLESS OTHERWISE SPECIFIED:		APVD D. STRAUSSER 22APR2013	NAME CONTACT, AMPSEAL LOOSE PIECE	
0 PLC ±		PRODUCT SPEC	SIZE CAGE CODE DRAWING NO RESTRICTED TO	
1 PLC ±		APPLICATION SPEC	A200779 C-770854	
2 PLC ±0.15		WEIGHT	SCALE 10:1 SHEET 1 OF 1 REV P1	
3 PLC ±		Customer Drawing		
4 PLC ±				
ANGLES ±				
FINISH				
SEE TABLE				